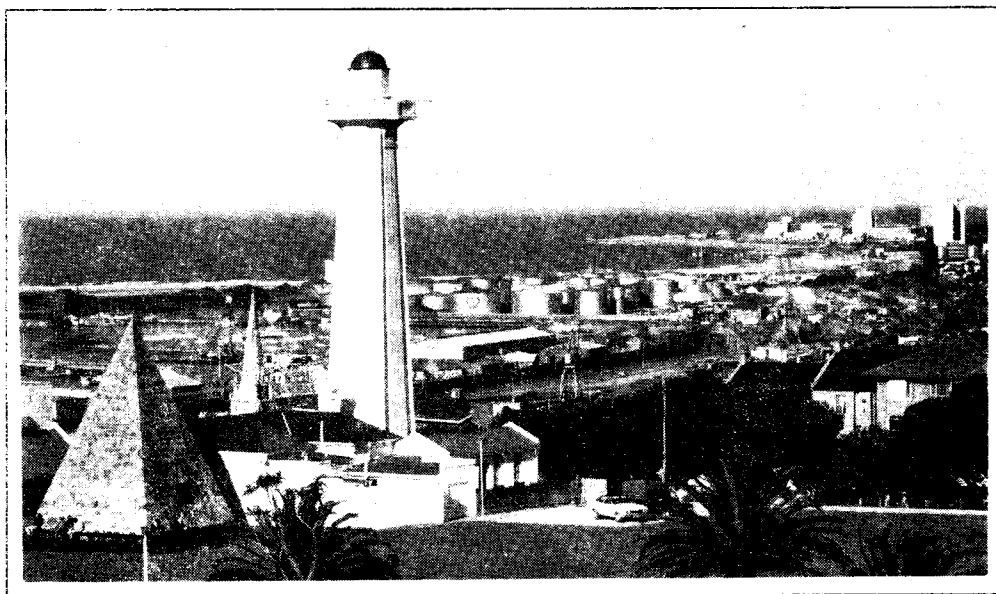




Q S X

P E



THIS NEWSLETTER IS PUBLISHED BY THE
PORT ELIZABETH BRANCH OF THE
SOUTH AFRICAN RADIO LEAGUE

P.O. BOX 10402
LINTON GRANGE
6015

January 1995

MONTHLY GENERAL MEETING

The next monthly general meeting of the Branch will be held on **FRIDAY, 20 January 1995** in the Civil Defence Centre, Westview Drive, Mill Park, Port Elizabeth, commencing at 8 pm (20:00).

During the business, members will be informed further about the Branch's requisition, seconded by East London, for a **Special General Meeting of the League to give urgent attention to the unhappy financial position of the SARL** as sketched by Council in its "road show" visits to branches. The SGM will have to agree on decisive steps to get our favourite Organisation back on track by containing expenditure and promoting a proper image in order to attract more members. What do *you* think is needed to restore the attraction of League membership to a wider spectrum of licensed hams once more?

After the business, which will probably be quite short, **Andre, ZS2ACP, will give a talk on the handling of firearms and competition target shooting.** This should not only be of general interest but also of practical value to those who own firearms but do not get regular practice in handling and using them.

Tea, coffee and munchies will be available for a reasonable donation during the interval.

HAMNET NEWS

The holiday season is a time of high traffic density and presents a major problem to traffic and emergency organisations. Consequently, any assistance from Hamnet is appreciated, particularly along major routes.

In the Port Elizabeth area we do not experience such heavy traffic as in the Transvaal and Natal, for instance, so our contribution is essentially monitoring the bands for emergency traffic and providing traffic movement counts, and observations about motorists' behaviour. Here, thanks go to Ken ZS2OC who did virtually all of the traffic reports, often making special trips to observe traffic flow, and to Jack ZS2KU who handled the bulk of the HF operations.

□□□

Do you watch 911 on TV? This programme comes on at 21:00 on Tuesdays. It gives you an insight into what all can happen, thus you can minimize the chances of it happening to you. If it *does* happen, and you are at all involved, you will have a better idea what to do about it.

73

Al, ZS2U

CQ de ZS2RL

I don't know about most of you out there, but I am thankful that sanity has once again returned [To whom? -Ed.]. Seeing the new year in is good fun and all that, but the feeling occasioned by lack of sleep and too much RF is not everybody's idea of paradise.

My wish is that 1995 will be a good year for all our members and their families. And that it will be a good year for our Branch too. We are off to a good start with a 100% pass rate for our latest group of RAE candidates, and hopefully we will see them regularly at functions. Please go out of your way to make them feel welcome and get them involved.

I have been asked by a number of members whether they should or should not respond to HQ's appeal for more funds - "... what does the committee recommend?". My reply will always be the same: it is something the member has to decide for himself, and it will be improper for either myself or the committee as a body to try and influence members. And I ain't telling whether I sent off a cheque for R50, or more, or not at all!

Just before Xmas we received copies of the SARI financial statements for the period 1 July - 30 November 1994. Our Treasurer Clive ZS2RT, East London Chairman Colin ZS2CR, and myself have gone through them in detail and we can find no indication of the much publicised R142 000 deficit. In fact, the figures clearly show the financial ship to be reasonably on course with a possible deficit of R20 000 at the end of the financial year, which is nowhere near the predicted shortfall which gave rise such to heart-rending appeals for more money. The mystery deepens! Anyway, this issue will be discussed at our forthcoming monthly meeting, by which time we hope to have an explanation from HQ for the apparent contradiction.

A reminder: at the November meeting we agreed to hold over any discussion on the future of QSX until January. Briefly, QSX in its present form is gobbling up the entire member's share of the annual subs that the Branch receives from HQ, which means that after deducting the cost of QSX the Branch has zilch net income. Do we scrap QSX? Do we continue as is? Something in-between? Perhaps fire the editor? Let's hear your views at the meeting.

73s *Beavan*

1995 LICENCES DUE

Don't forget to renew your licence! By now, all should have received their licence reminders and payment should be made by 31 January 1995.

The omission of your callsign from the reminder was an oversight and arrangements have been made for callsigns to be quoted in future. This should be seen as a teething problem with the new computer program, which it is hoped will see the end of the numerous glitches that occurred in the old one in spite of frequent patches over the years.

In the mean time, those who have two or more licences need merely compare the old licence numbers with those on the current reminder to see what they are paying for. The reminder reflects both the old and the new numbers.

DX QSL ADDRESSES

L. LE DOUX, ZS2LL

Here are some more QSL addresses, this time all on 21 MHz unless otherwise indicated:

ZB2EO	...	CBA (7 MHz)
FR5HG/E	...	F6FNU (7 MHz)
8Q7HB	...	DK1RP (7 MHz)
9M8FC	...	PO Box 2117, 93742 KUCHING, SARAWAK, East Malaysia (7 MHz)
HB0/DL2HYM	...	DL2HYM (7 MHz)
VK9IC/C	...	JA3IG (14 MHz)
VQ9QM	...	W4QM (7 MHz)
P8SGP	...	W4FRU (7 MHz)
4K9W	...	DL6KVA
HB0/HB9NI	...	HB9NI
ZP9XB	...	PY5BI
J28GR	...	PO Box 183, 83615 FREJUS CIEX, France
9J2SZ	...	SP8DIP
ER3ED	...	I8GZ
LX/DJ0BC/P	...	Home call
S92SS	...	PO Box 522, SAO THOME, West Africa
4L0ZZ	...	UF6FFF
ZC4ESB	...	G3ZNF
EL2NC	...	PO Box 2751, MONROVIA, Liberia
TA/DJ6SI	...	Home call
TA4/KV0J	...	Home Call
4K8F	...	UA9AB
ZA1AJ	...	OK2PSZ
ER1AM	...	SP9SWN
AP2MK	...	PO Box 1090 ISLAMABAD
EA6AA	...	PO Box 1778, PALMA
OK1DOR/BY!BJ	...	OK1DOR
A61AD	...	WB2DND
ZAITAG	...	IK2ITW

The Wileman Trophy

N.A. STOTT, EX ZT2N

This year we celebrate 100 years of Radio, and articles about the early days will be welcomed, whether for publication (QSX or Radio ZS) or for the archives.- Ed.

In my day a young man had to sign on to do four years of peace-time training in one of the armed services. As I was a member of the Redhouse Yacht Club and sailed there, it seemed natural that I should choose the Navy, which I did in 1934. I signed on in Port Elizabeth, where I was living at the time.

After six months of parade ground 'bashing', one could choose the branch in which one would like to see out the four years. I chose to be a telegraphist as I was a Ham (Z12N) at the time and it seemed, as I had to do four years, why not choose my hobby!!

So I became a telegraphist, and the only one in the PE RNVR (Royal Naval Volunteer Reserve). For me, one of the joys of being in the RNVR was that one was required to do a period of training at sea with the Royal Navy. Imagine my joy when, for two weeks, I spent my time in the wireless office on board a Royal Naval ship.

This happened three times, in 1935, 1936 and 1937, on three different ships!!

Thanks for this interesting account, Tony. Sorry you didn't renew your ham licence after the war. How about doing it now?

- o Can anyone shed any light on the origin of the Wileman Trophy?
- o Who knows what became of Scarfe and the twins?
- o How on earth could the Banana boys beat Eastern Cape at CW?? Must have been a schwindell.

There were four bases, Cape Town, Port Elizabeth, East London and Durban. Each year there was a competition between the telegraphists in each of the four bases for the Wileman Trophy.

Regrettably I cannot remember who Wileman was, nor the details of the competition. What I do remember is that there was a chap in Durban by the name of Scarfe (spelling?) who was a ham (ZU5D) and his base always beat us, no matter how hard we tried!!

I should mention that, after the first year, two new recruits decided to become telegraphists. They were identical twins, Cyril and Denis French. I tried to persuade one of them to become a signaller so that everyone would be able to distinguish one from the other by their badges. But no, they both wanted to be wireless operators.

In 1939/40 we all went our different ways and I never did meet up with Scarfe.

MINUTES OF THE GENERAL MEETING OF THE PORT ELIZABETH BRANCH OF THE SOUTH AFRICAN RADIO LEAGUE HELD AT THE CIVIL DEFENCE CENTRE, MILL PARK, PORT ELIZABETH ON FRIDAY, 18 NOVEMBER 1994

1. **Welcome** The Chairman especially welcomed SARL Councillor Laurie ZS5DL (from Durban), Kobus, Grant, Gail, Chick, Kevin (all from the RAE class), and Arthur Baynes (from Adelaide)

2. **Apologies**

Roger ZS1J, Lynne ZS2MM, Julian ZS2AAV

At this juncture the Chairman expressed the Branch's appreciation to Roger Davis for the antenna books he has so kindly donated.

3. **Minutes of Previous Meeting**

Acceptance: Proposer : ZS2VM - Viv, Seconder : ZS2JS - Fred 3.1

Matters Arising

Christmas Party will be 19:30 for 20:00 at Swartkops Yacht Club on 3 December.

4. **Financial Report**

The Branch is still in the black.

5. **New Business**

5.1 **New home for the BBS:** - Any volunteers should please talk to Wolf ZS2WG.

5.2 **Election of a Secretary**

It is critical that a new secretary be found as the portfolio of secretary is mandatory according to the Constitution

5.3 **Future of QSX**

This will be discussed at the next meeting. (Due to the fact that the cost of OSX has risen considerably).

5.4 **Urgent matters**

An invitation was extended for 3 hams to attend a seminar on interference being held by SAP at Louis Le Grange Square on 5 December and threehams indicated that they will be attending.

5.5 **Presentation by Laurie ZS5DL**

Main points:

1. Amateur Radio and S.A. Radio League Future
2. Threats to Amateur Radio

3. International Developments
 4. Developments in S.A.
 5. Responsible Action of SARL
 6. Responsible Action by members
 7. SARL membership profile
 8. Impacts of the membership profile on income
 9. Other financial constraints
 10. Action Plan
 11. What does SARL offer
- 5.6 Questions to ZS5DI and gripes were dealt with as they came up during the presentation.
6. **The meeting concluded** at 23:10 with thanks to Laurie for the informative presentation, and to Bill ZS2ABZ for organizing the tea and coffee.
-

Letter to the Editor

Donovan van Loggerenberg, ZS2DL, writes in response to the suggestion last month that "Silent Mike" might be more appropriate than "Silent Key" considering the increasing non-use of CW by many new hams today:

Silent Key from research originates from the SK sent at the end of a CW transmission, indicating End of Transmission, and does not have anything to do with the actual physical hand pump. Thus, indicating that the "ham" has made his last transmission, it is a sign of respect and world-wide has become tradition. There is no argument for calling a deceased brother a *Silent Mike*... What an insult and, if he was on the mike he did not know the joy of struggling with CW and did not defeat the hurdle...It ain't so bad!

And I realise it ain't worth arguing about but, as for the compulsory membership of the League, I cannot lie and tell the League I am still a student so that I can afford the subs. However, due to their annual increase find a guy just starting out struggles to keep up with the high rollers. Not that I want to! But nobody must jeopardise my privilege which I hold with such dearness and that is the privilege of having a ham licence.

How about a RDP in SARL circles...maybe cheaper subs, HI!

Oliver Wendell Holmes, Sr. is credited with having observed: "The great thing in this world is not so much where we stand as in what direction we are moving". Perhaps history will record that, with me, it is not so much *where* I stand as *what* I am standing *in!* - Ed.

Packet Radio - *Emulate a BayCom modem!*

It's *EMBAYCOM* for Flexibility

Just when we thought the cost of packet radio had been reduced to the lowest possible figure with PMP, EZPacket and the more recent, vastly superior BayCom, along come some Ruskies with a few kilobytes to add to your program - and now you can run your BayCom not only on VHF but also on HF.


What is more, you do this using the even cheaper, smaller HamComm modem that you have perhaps already put together for JVFAX's SSTV and HamComm's CW and RTTY packages. As an added bonus, AMTOR and PACTOR can be run on the same system.

Only a small modification to an existing HamComm unit is required: the addition of a D type plug with two wires interconnecting it with the existing one (two COM ports have to be used), and a switch to select the unit for BayCom or HamComm use.

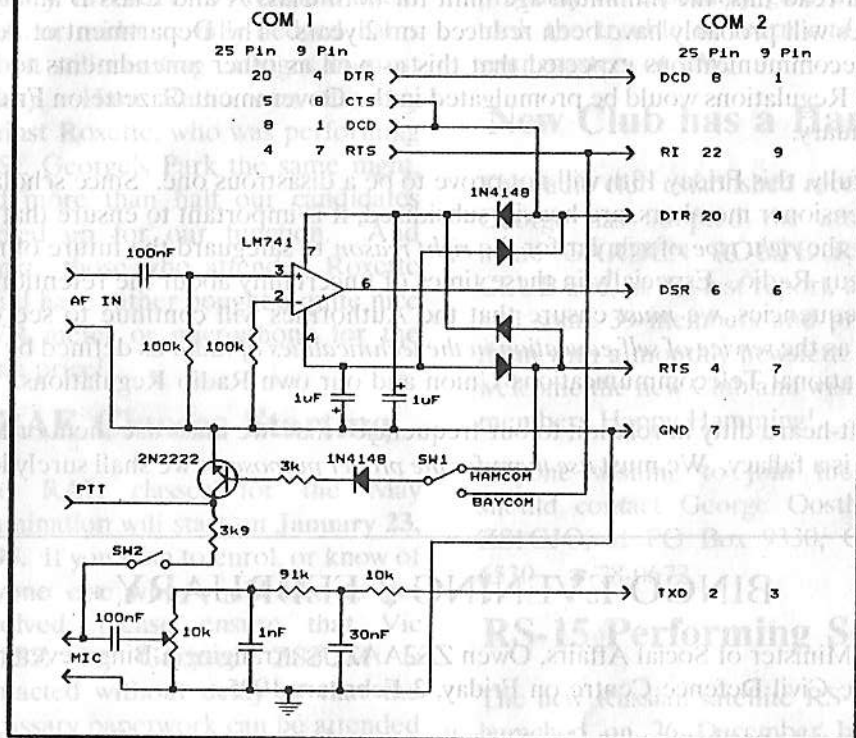
The modifications proposed by the Russian author of the emulator program include changing four or five resistor/capacitor values. Vic ZS2SZ has done this, but Gary ZR2ABU has simply left the original HamComm components on his board and both units appear to work as well.

The circuit diagram on page 9 embodies the modifications and suggested values in the audio output circuit to the microphone. HamComm kits that were supplied by Keith ZS6TW through Gary ZR2ABU provided Keith's modification for keying the CW terminals of most rigs - the original HamComm design used an audio tone into the microphone circuit of an SSB transmitter for sending CW. Purists, however, prefer to key the CW circuit.

The emulation software that needs to be copied to your BayCom directory is available from Vic or Gary. It could be downloaded by packet quite easily, of course. HamComm and JVFAX software is already widely used in the Eastern Cape, but we are still looking for the Amtor and Pactor programs. Gary has a few of Keith's version of the HamComm kits available - but only a few!

We await the decision of the authors of BayCom to release version 1.60 here. At present only Gerhard ZS2UM, who has translated the handbook from German into English, and Garth ZS2HB, who has assisted, are known to have (legal) working copies in South Africa - but they still have German texts. There is no DOC file for Version 1.60 - original copies are accompanied by a printed handbook. This version has some handy improvements over its predecessors, including automatic binary file and 7PLUS format reception. *Wait for it!* 

SIMPLE MODEM FOR HAMCOMM, EMBAYCOM, JVFAX etc



Instant Printing

**FOR ALL YOUR
PRINTING REQUIREMENTS**

9 St. Patricks Road, Port Elizabeth 6001

Telephone: (041) 55-2614

Try us for your QSL cards!



Wife to depressed husband: "What do you mean, you have nothing to live for? The house ain't paid for, the car ain't paid for, the washing machine ain't paid for, the television ain't paid for...."

Packet Radio - Age Limit Now 12

As you read this, the minimum age limit for both Class A and Class B amateur licences will probably have been reduced to 12 years. The Department of Posts & Telecommunications expected that this as well as other amendments to the Radio Regulations would be promulgated in the Government Gazette on Friday, 13 January.

Hopefully, this Friday 13th will not prove to be a disastrous one. Since scholars, like pensioner members, are heavily subsidized, it is important to ensure that we attract the *right type* of scholar for the *right reason* to safeguard the future of real Amateur Radio. Especially in these times of uncertainty about the retention of our frequencies, we *must* ensure that the Authorities will continue to see our hobby as the *service of self-education in the technicalities of radio* as defined by the International Telecommunications Union and our own Radio Regulations.

The oft-heard ditty in relation to our frequencies that "we must use them or lose them" is a fallacy. We must *use them for the proper purpose* or we shall surely lose them.

BINGO EVENING 3 FEBRUARY

Our Minister of Social Affairs, Owen ZS2AAZ, is arranging a Bingo evening at the Civil Defence Centre on Friday, 3 February 1995.

Those who participated in Owen's frolics a couple of years ago will remember the happy evenings we had.

Put a heavy red line around this date on your calendar and *be there!* Refreshments will be available.

100% RAE Pass Rate

exam.

Congratulations to all candidates who passed the November RAE. In particular, we salute Mike Morgan, who achieved straight A's - A for Regulations, A for technical and A aggregate!. Well done, Mike. And well done to the lecturers too! We expect big things again in the May

All 15 of our Branch candidates who wrote, passed, while three of four private students also made the grade. The fourth failed the *Regulations!* He should be *shot!*

All seven East London candidates also passed. Good work!

A cheese and wine party was held for

our local candidates and Committee members as well as their spouses on 9 January in order to welcome them into our midst as fully-fledged hams (albeit still awaiting callsigns in most cases). Ham Radio won the day against Roxette, who was performing at St. George's Park the same night, and more than half our candidates rocked up for our function. And think: those who attended Roxette could have rather bought a quite nice SWR meter or microphone for the same price!

RAE Classes Starting

The RAE classes for the May examination will start on **January 23, 1995**. If you wish to enrol, or know of anyone else who would like to get involved, please ensure that Vic ZS2SZ or Gerhard ZS2UM is contacted without delay so that the necessary paperwork can be attended to - copious notes have to be photocopied in good time.

Meanwhile, ZS5RK, Rod, is providing slow morse classes on 3620 kHz in the 80 metre band, starting at around 18:10 until 18:50 daily including Sundays, but I could not determine whether he also comes up on Saturday evenings. Rod starts at about 4 words a minute and increases to around 10 wpm.

Those who have already passed the RAE, in particular, are urged to accept the challenge of CW forthwith. Approached with the proper attitude, you will find that it is easy to learn

and an interesting mode to use. When you get into satellites, you will probably be especially glad that you took the trouble to learn *and retain* your mastery of CW.

New Club has a Handle

The radio club established recently in George has adopted the attractive name GARDEN ROUTE RADIO CLUB and, at the last report, already had some 39 members and provides them with a monthly newsletter. We welcome the new Club and wish all its members Happy Hamming!

Anyone wishing to join the Club should contact George Oosthuizen, ZS1GJO, at PO Box 9330, George 6530 - ☎ 78-0672.

RS-15 Performing So-So

The new Russian satellite RS-15 was launched on 26 December but the performance of the transponder is a little disappointing at this time. Although the beacon on 29,353 MHz is quite strong, the same cannot be said for the repeater and signals on the downlink have not been very exciting. I also have not yet heard the other beacon said to be on 29,398 MHz.

Uplink: 145,857 to 145,897; Downlink 29,357 to 29,397.

ZS75SAAF Special Call

Listen for ZS75SAAF from 1 February to 31 December 1995. The callsign has been issued for use by

special stations operating from various air bases and units, and on numerous occasions, during the year to commemorate the 75th year of existence of the SA Air Force.

Can Cellphones Cause Car Crashes?

Reports on TV and Radio about the accident rate during the Christmas period have made mention of cellular phones probably being at the root of a number of accidents. Cell phones, they say, were found in the hands of car crash victims on various occasions.

One can readily see how these instruments can seriously distract a user's attention from the road while setting up a call, although it is also possible that the aforementioned victims were actually trying to call for help *after* their accidents. Be that as it may, I foresee a hysterical rush by the authorities to clamp down on the use of cellular phones while driving, and it doesn't take much imagination to foresee such wide terminology being used in the resultant legislation that we hams could find ourselves denied the pleasures of QSOs on the move.

No doubt Council will take early steps to pre-empt this.

Repeaters Linked

Our Digital Affairs working party have installed the UHF link between our Lady's Slipper repeater (145,700) and Grahamstown (145,750), which is

tone controlled and has been used very successfully during the last few Branch bulletins.

Our end of the Grahamstown-East London link was installed at the same time and, when our compatriots in the Fighting Port add their bits and pieces, we will be able to talk on handhelds between the two cities and beyond.

Digital Matters

The Branch's packet bulletin board has had a callsign change. Having been moved to the OTH of our new Sysop Jim, ZS2LR in Uitenhage, it was necessary to change the callsign in accordance with SARL's policy of using Telecom's abbreviation for its nearest telephone exchange as the suffix for our BBS callsigns. This brings home to one the rather unfortunate and unnecessary nature of the arrangement since it causes the PMG avoidable work in re-issuing licences, and inconvenience to users who have to advise their correspondents, amend their programs and possibly even their QSL cards etc.

Perhaps this policy, and in fact the dubious need for an already-licensed operator to take out an additional licence under an obscure callsign in order to run a BBS, should be re-examined. Some Sysops have refused to take out separate licences and seem to run efficient BBS's without them, so the expense carried by the League for all the ZS0 callsigns must be an unnecessary waste of funds - and our

financial situation is anything but robust at present!

Incidentally, the abbreviation for the Uitenhage telephone exchange is UE, and I thought the policy was to *add* a letter after a two-letter abbreviation to produce a three-letter suffix. Hope there's no UTE elsewhere with a budding Sysop! Telkom's abbreviation for Grahamstown is GGT, so if we *do* use their abbreviations in our ZS0 callsigns, our digi should actually be ZS0GGT!

Digipeater

Meanwhile, the digipeater has been revamped, placed in a smart steel cabinet and re-erected at Coldsteam, 30 km west of Grahamstown. Unfortunately, some stations in the Port Alfred area seem at times to have a little difficulty with the digipeater in its new position, and plans are afoot to hoist the antenna to the top of the tower, which appears to be screening it from the Port Alfred direction at present.

Ralph ZR2IV, in East London, is interested in setting up his station as an intermediate digi with ZS0GHT to enable communication between the East London area (including the

ZS0ELD BBS) and the Port Elizabeth area. Perhaps the relocation of the digi's antenna will assist him too.

Excellent VHF Openings

In some remarkable openings during the past month, a number of Eastern Cape hams had direct contacts with stations in Natal and the Southern Cape, as well as between PE and Cradock and the more common PE-EL hop.

Among the longer distances, reports were received of QSOs between Willem ZS1ON of Bredasdorp and Paul ZS2ABY in Humansdorp and Wolf ZS2WG in PE, while Wolf and Garth ZS2HB worked Dave ZS5DJ in Ramsgate and then Mike ZR5ADO in Umbumbulu, a little inland from Amanzimtoti and a path distance of around 660 km.

Roelf ZS5AAK in Durban was heard but in readable snatches too patchy to be regarded as a contact. During the same evening, Gerald ZR2GB, mobile outside Umtata, was also worked from PE. Further openings occurred over a period of several days, both in the morning and evening.

APOLOGY—In the December issue of QSOX PE, we erroneously placed a picture of the world-renowned Mr. Alfred E. Newman, popular figure from our sister publication *MAD*, on the credit line for an article actually written by our Chairman, Beavan ZS2RL. We offer a sincere apology for our error and trust that no embarrassment was caused to Mr. Newman.

Condolences— We extend our sympathy to Brian ZS2AB and Marge ZS2OB on the recent passing of Brian's father.

Congratulations & Personal News

on your birthdays:

January

- 16 Bud Voortman ZS1B
- 20 Barry Murrell ZS2AAB
- 27 Gary Anderson ZR2G
- 28 Martin Layton ZS2ML

February

- 3 Tom Cockbain ZS2TC
- 4 Shirley Winter XYL of Gus ZS2MC
- 7 Joan Bowles ZR2ABA
- 10 Lynne Crothall ZS2MM
- 11 John Masters ZS2AAN
- 12 John Magee ZS2RG
Peter Lunow ZR2PEL
- 14 Arno du Preez ZS2ABT
- 18 Eric Gertenbach ZS2CV
Peter Flynn ZS2PF
Rudi van der Elst ZS2EE

on your anniversaries:

January

- 22 ReINETte & Andre van Deventer ZS2BK
- 27 Margaret & Waldie Bartie ZS2WM
- 29 Margaret & Ken Victor ZS2OC

February

Can there be none in the January QSX period (up to the 19th)?

on passing the RAE:

Malcolm Brightman, Mike Button, Anton Cloete, Kobus Conradie, Lynette Flores-Bartoli, Grant Fouche, Andre

Greyling, Errol Heasley, Kevin Karp, Mike Morgan, Chick Mosley, Gail Mosley, Lourens Osborne, Lawrence Tiltman and Jacques van der Heide. Special mention must be made of Mike Morgan, who obtained straight A's!
Please let us know as soon as you receive your callsigns!

on your new callsigns:

Valies Valentyn ZR2AF and Kobus Conradie ZR2KC. Now for the CW!

on your engagement Sean Allen ZS2SNA and Liesel. We wish you luck and a happy future.

on your achievements: Karen Bowles ZR2AAW on obtaining your first bar in Nursing,

Poppie ZS1AFZ and Bud ZS1B on taking 2nd and 9th places respectively in the 1994 SARL CW contest.

□
Gallivanting — Renée Olivier left on 25 December for an extended stay in the UK and points beyond.

David Butcher ZR2DCB will do a tour of duty on the missionary ship Doulos. He leaves PE at the month-end but, before actually joining the ship late this year he will do training and field work in the RSA and neighbouring territories, as well as a week in Germany.

Fare thee well, both of you. Now, if only you had done your CW..... Ω

Port Elizabeth Branch Committee

Chairman, Secretary, Rallies	Beavan Gwilt ZS2RI.	30-6968
assisting the Secretary	Kevin Karp	
Vice Chairman, Social	Owen Thomas ZS2AZ	38-4134
assisting with refreshments at meetings	Bill Hodges ZS2ABZ	51-2580
Treasurer, Assets Control	Clive Fife ZS2RT	32-3203
assisting with Assets Control	Lynne Crothall ZS2MM	35-4671
Awards, Library	Peter Flynn ZS2PF	46-4096
Repeaters, Packet	Wolf Gerstle ZS2WG	30-1510
Special Events	Dick Schönborn ZS2RS	56-3908
QSO Manager	Vic Olivier ZS2SZ	30-2440
assisting as QSO Editor/layout	Garth Laaks ZS2IHB	38-1101
Technical Classes	Gerhard Baum ZS2UM	30-5224

Branch VHF & Other Services

REPEATERS

Town VHF	145,050/650	Kareedouw	145,125/725
Town UHF	431,050/438,650	Lady's Slipper	145,100/700
Grahamstown	145,150/750	Uitenhage	145,075/675
Cradock	145,050/650		

OTHER SERVICES

Packet Bulletin Board (ZS0UTE)	144,675
Digipeater (Grahamstown - ZS0GHI)	144,675
2m Beacon (ZS2VHF CW ID)	144,910
6m Beacon (ZS2SIX CW ID)	50,005
6m Link with Lady's Slipper 2m Repeater	51,400
Wefax Relay (Meteosat)	145,350

Sunday Bulletins

Branch bulletins are transmitted on Sundays immediately after the Headquarters English transmission, i.e. at about 08:45, on 3640 (when necessary) and 7098 kHz as well as on the 2 metre linked repeater system giving coastwise coverage from East London to Humansdorp and beyond via 145,750 and 145,700 MHz.

Date	Prepare and Read on 145,700
22 Jan	ZS2PF
29	ZS2WG
5 Feb	ZS2RS
12	ZS2RT
19	ZS2AZ
26	ZS2RL

IMPORTANT DATES
*
20 January - Branch meeting
3 February - BINGO evening

★ We Like Being Your Branch ★